

NVL TABLE

Jean Nouvel Design
2020

NEW



A table made from only one material with contemporary lines that convey strong personality. NVL Table is the second project, after Super_Position, created by the French designer Jean Nouvel for MDF Italia and that takes the name literally. The distinctive traits of its architecture manifest fully in this table to highlight stylistic elements that have always distinguished the works of Jean Nouvel: pure geometric shapes, formal lightness, graphic marks, and rigour.

The simplicity of the shapes plays harmoniously on the contrast with the solidity of the material: the table top appears thin and light and seems to float above the base.

The central support consists of two volumes that are tapered on the upper part to create two symmetrical bases that support the top. The effect recalls a triliithon, a structure formed from two vertical elements and a third positioned horizontally on top.

Structure and surfaces

The bases and undertop flange are made of moulded high density rigid polyurethane joined together with a mechanical fastener. Each base has a closing plate and internal anti-tilt weight in moulded cast iron, epoxy powder coated in matt black, with specific places for slides and felt pads.

The 25 mm top in medium density fibreboard closes the table's "monolithic" look, with a snap clip and hidden points for fastening to the flange below. The point in which the two parts join creates an elegant rebate, which is a very pleasant technical/aesthetic detail.

Dimensions and types

Each table mounts bases of different sizes and types (see following page), and a round model in the diameters 150 or 180 cm, or oval model W200 or W250, are also available. Table height, 74 cm.

Finishes

The bases, undertop flange and top are always monochromatic, lacquered or faced with the application of 3 mm slabs, in the variants:

- **matt lacquer** in white, black and red
- **glossy lacquer** in white, black, red and coral red (special colour in 2020)

- **materials** in the variants reconstructed black Ebony marble, reconstructed white Carrara marble and reconstructed stone, reconstructed stone white Calce and black slate. For more information on the characteristics of this material, please see TENSE MATERIAL COLLECTION in the tables section.

**Note: no special sizes are available.
This product is for indoor use only.**

For further information about specs, please refer to the technical section at the end of the price list (tables of materials/colours).

MATT LACQUERED FINISHES

P025/S007 = white X042

P055/S026 = black (reference color X061)

P056/S029 = red (reference color X065)

GLOSS LACQUERED FINISHES

P031/S006 = white (reference color X060)

P036/S025 = black (reference color X061)

P037/S027 = red (reference color X065)

P137/S097 = coral red (reference ral 3016)

MATERIAL FINISHES

P137/S097 = reconstructed black Ebony marble X111

P118/S080 = reconstructed white Carrara marble X120

P089/S048 = reconstructed stone X084

P144/S104 = reconstructed stone white Calce X131

P145/S105 = reconstructed stone black slate X132

FINISHES

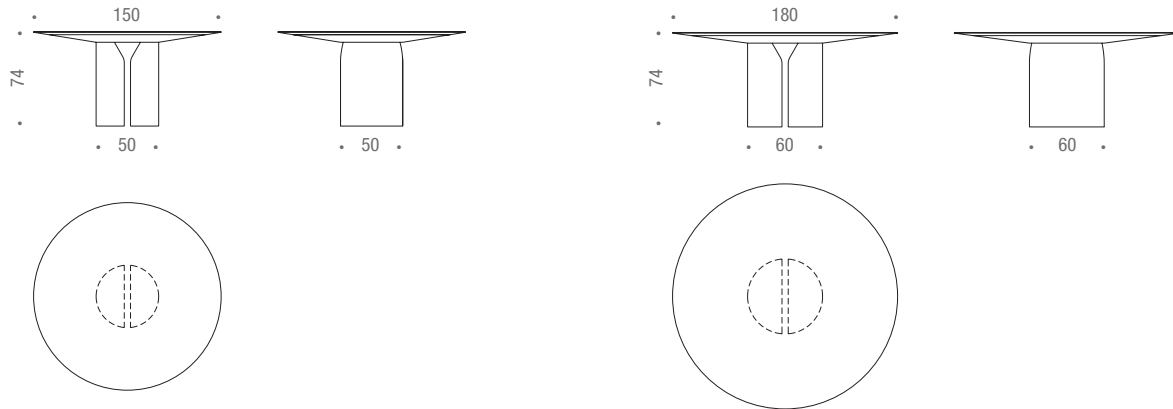


FIND OUT MORE

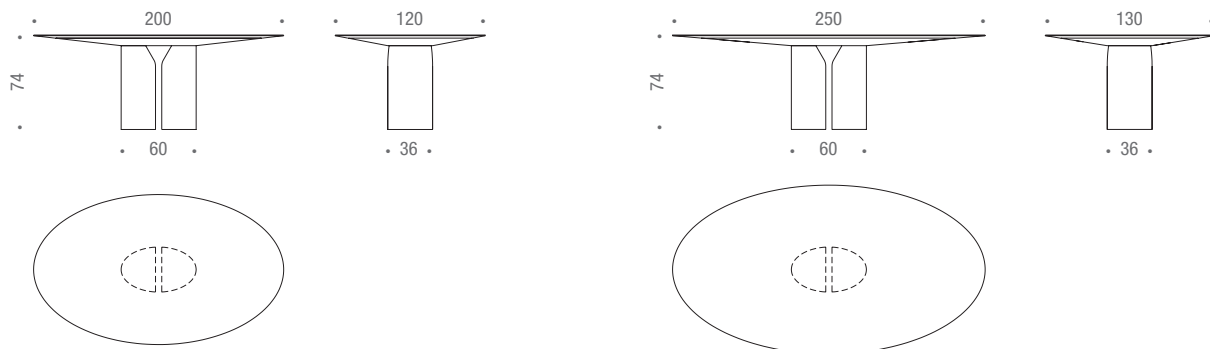
NVL TABLE

ABACUS

ROUND TABLE



OVAL TABLE



BASE DETAIL



ROUND TABLE

