

Menhir

designer Giotto Stoppino, Lodovico Acerbis



ISTRUZIONI DI MONTAGGIO | ASSEMBLY INSTRUCTIONS | MONTAGEANLEITUNGEN | INSTRUCTIONS DE MONTAGE | INSTRUCCIONES DE MONTAJE

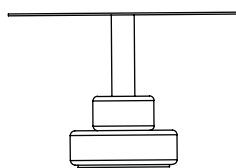


TABLE C+E

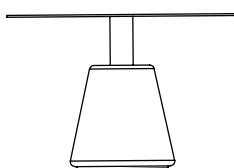


TABLE A

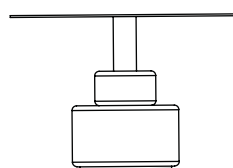


TABLE B+E

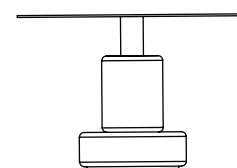
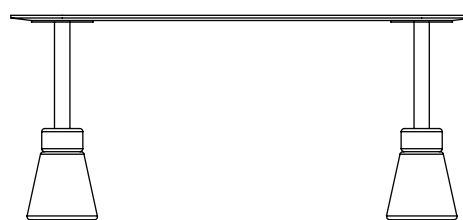


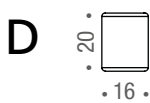
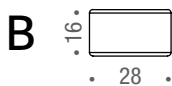
TABLE C+D



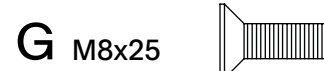
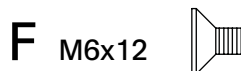
CONSOLLE B+E



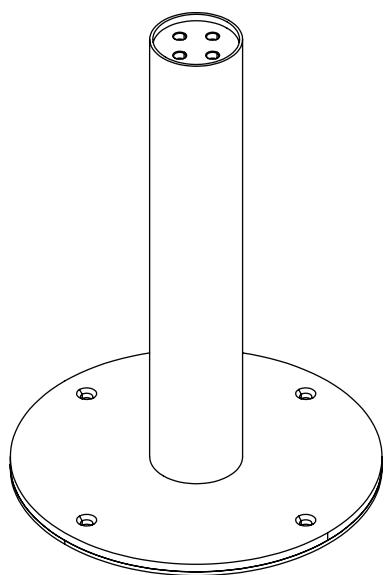
CONSOLLE A+E



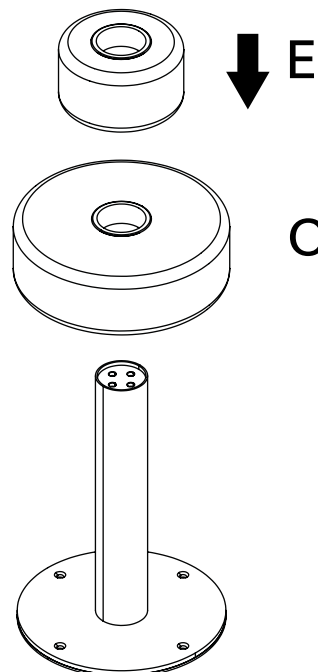
KIT FERRAMENTA | HARDWARE KIT | HARDWARE-KIT | KIT DE MATÉRIEL | KIT DE HARDWARE

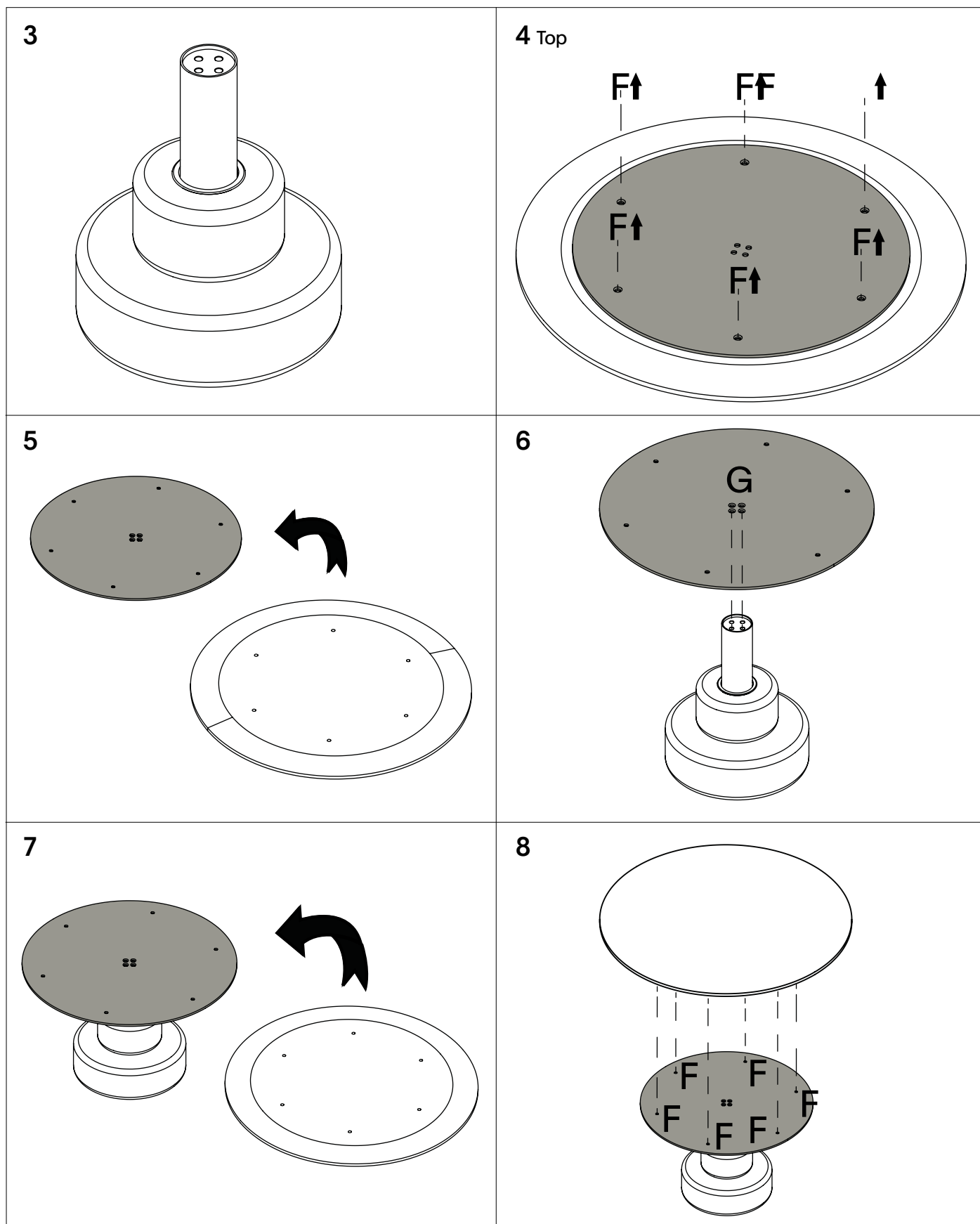


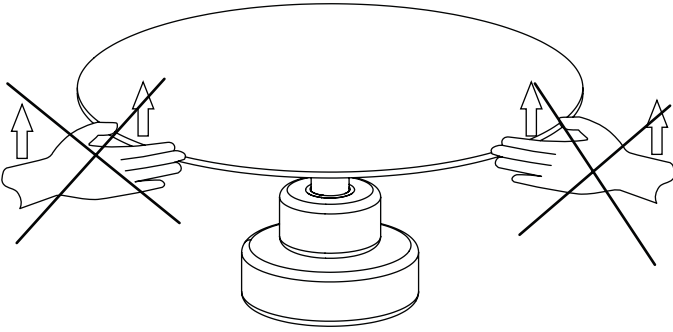
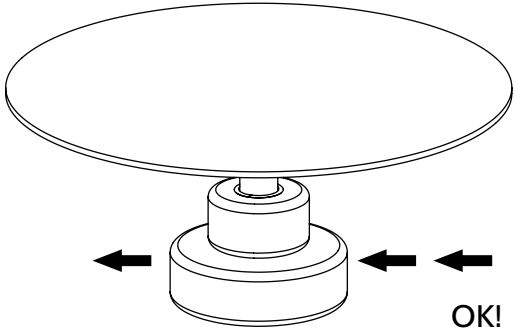
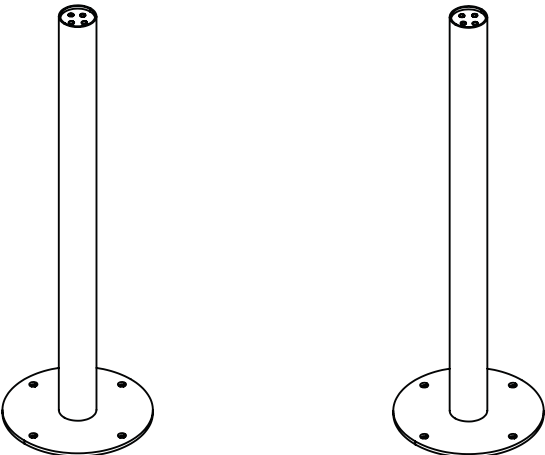
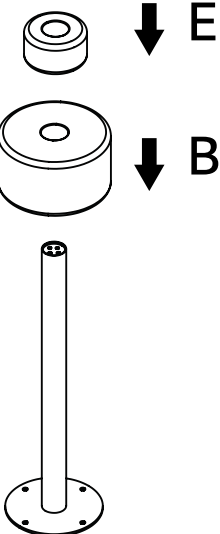
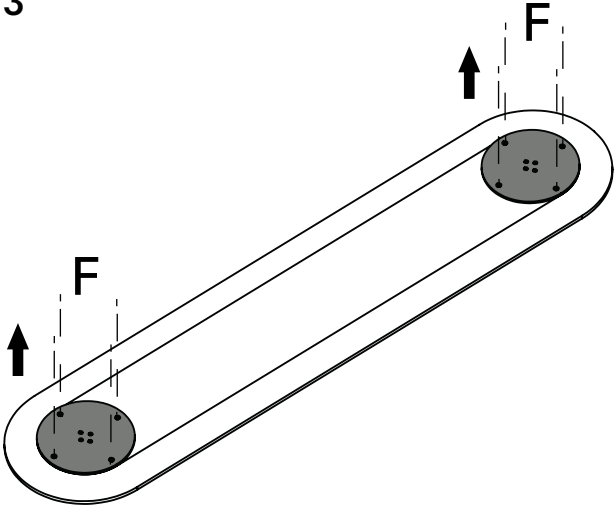
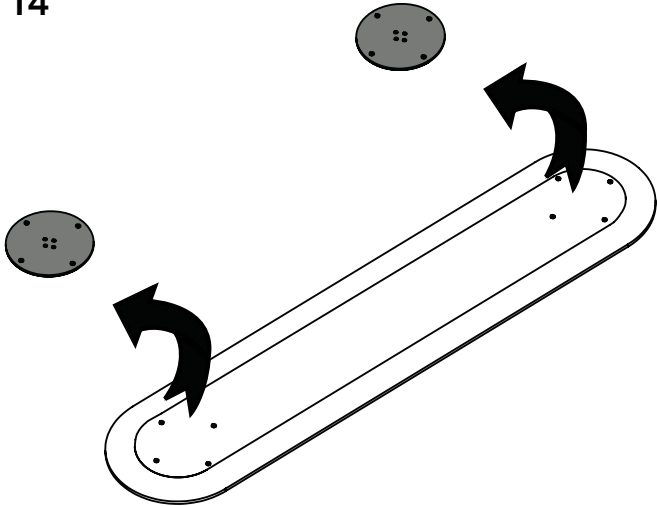
1 Table C+E



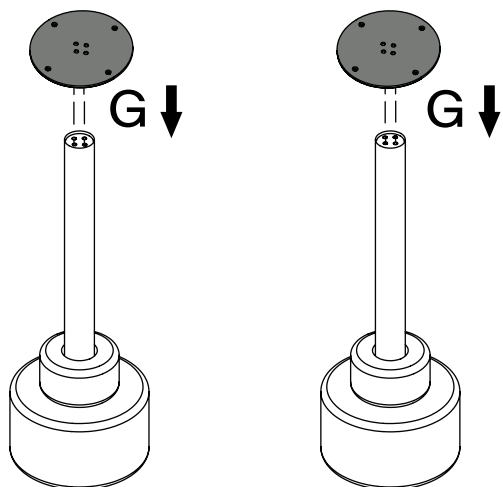
2



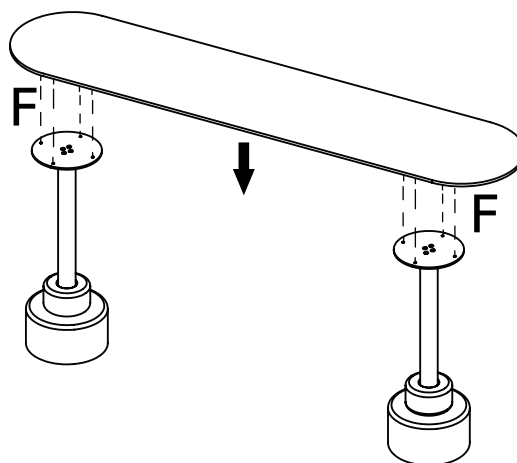


<p>9</p>  <p>TO MOVE THE TABLE, DON'T BRING IT BY THE TOP</p>	<p>10</p>  <p>TO MOVE THE TABLE, PUSH UNDER THE TOP</p>
<p>11 Consolle B+E</p> 	<p>12</p> 
<p>13</p> 	<p>14</p> 

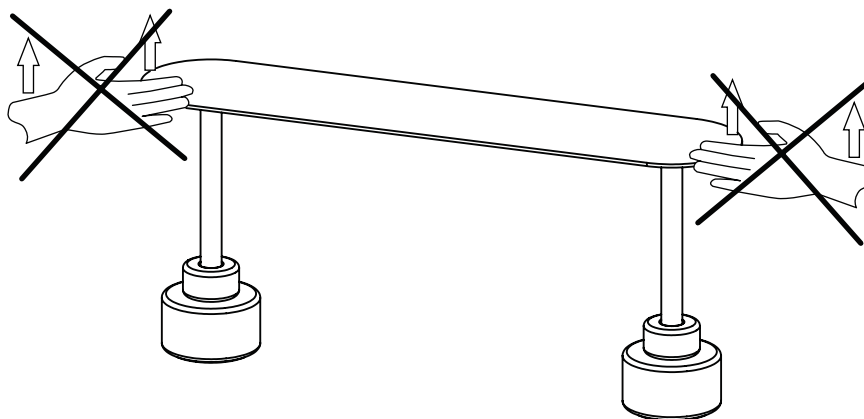
15



16

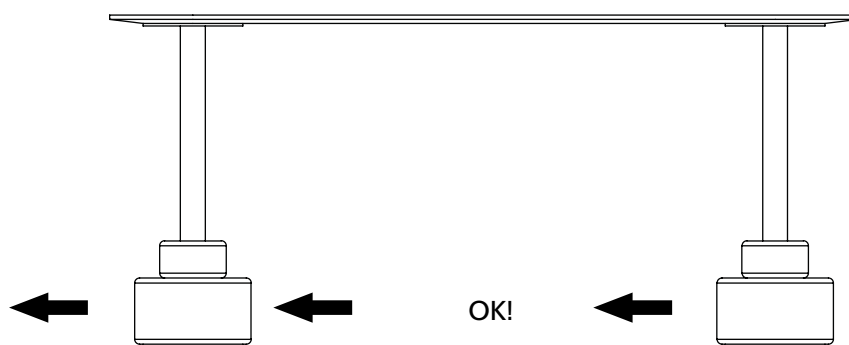


17



TO MOVE THE CONSOLLE, DON'T BRING IT BY THE TOP

18



TO MOVE THE TABLE, PUSH UNDER THE TOP